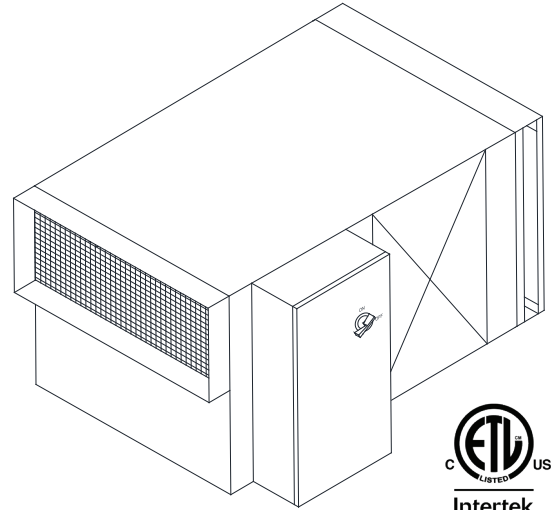




MADE IN THE U.S.A.

# 7200 SERIES PLENUM RATED HEATER

CUSTOMER		DATE:	
PROJECT			
LOCATION			
ARCHITECT			
ENGINEER			
CONTRACTOR			
SUBMITTED BY			
APPROVED BY			
APPROVED BY			



## SUBMITTAL DATA SHEET

QTY	TAG	MODEL	KW	HEATER VOLTS/PHASE	STAGES	MOTOR VOLTS	AMPS	OPTIONS
NOTES/SPECIAL INSTRUCTIONS:								

### Standard Features

- PSC motor with thermal limit
- SCR motor speed controller
- Door interlock disconnect - rated for zero clearance
- Single point electric connection
- Control circuit 24 volt
- Air flow switch / dust tight enclosure
- 4# density core insulation / duct connections
- Access on both sides of unit
- Primary and secondary limits
- 20 ga. galvanized construction
- Filter rack with T/A filter
- Inlet and outlet screens

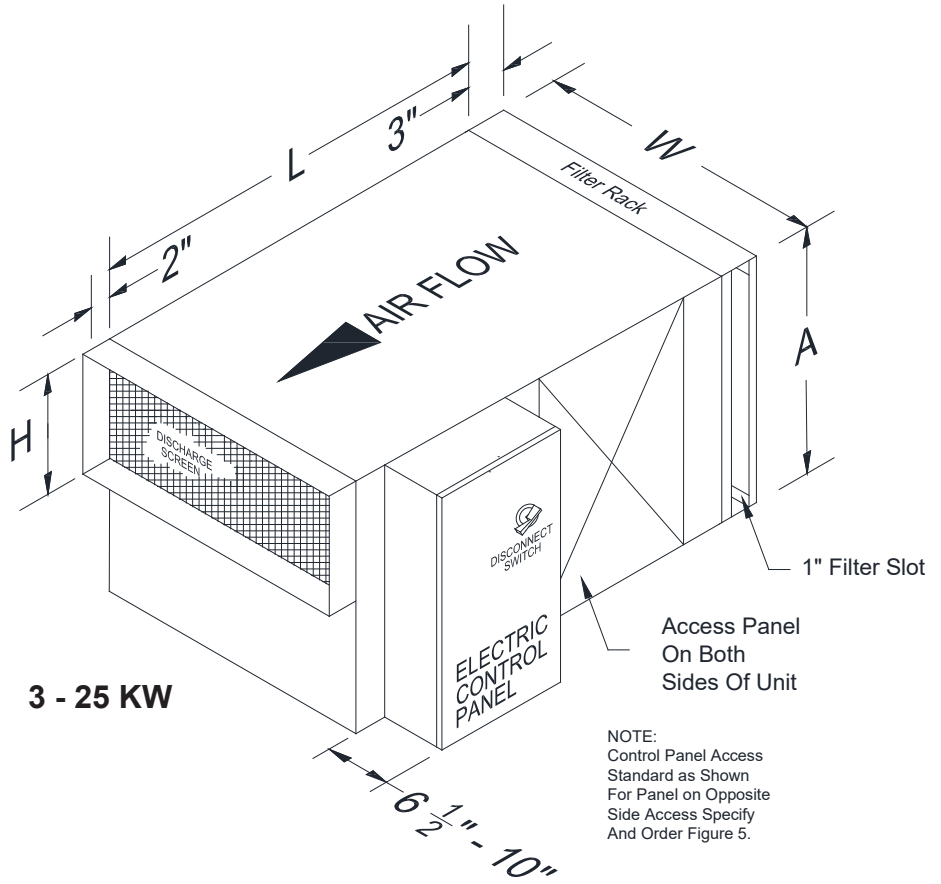
OPTIONS	
FACTORY INSTALLED	
T1	Single Stage Thermostat
T2	Two Stage Thermostat
SSR	Solid State Relay and Thermostat
4M	480 Volt Single Phase Motor Option
FIELD INSTALLED	
RK120EAA	Single Stage Wall Thermostat
SDHW1001	Two Stage Wall Thermostat
RS	Duct Probe for use with SSR

## 7200 Series Plenum Heater Standard Models

MFG CATALOG NUMBER	MFG MODEL NUMBER	KW	CFM RANGE	TEMP. RISE	MCA/MOCP	VOLTS / PHASE	TOTAL AMPS for MOTOR & HEATER	STAGE	MOTOR VOLTAGE	FULL LOAD AMPS for MOTOR ONLY	MOTOR H.P.	WT. (LBS)			
06176802	F1G7203	3	70-270	135° - 35°	20 / 20	208/1	15.4	1	277	1	1/15	98			
06065602	H1G7203				20 / 20	240/1	13.5								
06062402	G1G7203				15 / 20	277/1	11.83								
06069002	F3G7203				15 / 15	208/3	9.32								
06177602	H3G7203				15 / 15	240/3	8.21								
06176602	F1G7205	5	200-650	79° - 24°	35 / 35	208/1	25.13	1	277	1.1	1/6	118			
06179502	H1G7205				30 / 30	240/1	21.93								
06061602	G1G7205				25 / 25	277/1	19.15								
06064202	F3G7205				20 / 20	208/3	14.97								
06179902	H3G7205				20 / 20	240/3	13.12								
06065002	P3P7205				15 / 15	480/3	7.11		480	.90	¼				
06065502	F3G7210	10	500-1200	63° / 27°	45 / 45	208/3	33.05	1	277	2.50	1/4	141			
05348702	H3G7210				35 / 35	240/3	25.75						1.7		
06175802	P3P7210				20 / 20	480/3	13.72								
06065102	F3E7210-2				45 / 45	208/3	33.05	2*		480			.90	1.7	
05343902	H3G7210-2				35 / 35	240/3	25.75								1.7
06063402	P3P7210-2				20 / 20	480/3	13.72								
06086002	F3G7215	15	500-1200	95° / 40°	60 / 70	208/3	46.93	1	277	2.50	1/2	163			
06088402	H3G7215				50 / 55	240/3	37.78						1.7		
06060702	P3P7215				25 / 25	480/3	19.74							.90	
06069402	F3G7215-2				60 / 70	208/3	46.93	2*		480			.90		1.7
05344002	H3G7215-2				50 / 55	240/3	37.78								
05345502	P3P7215-2				25 / 25	480/3	19.74								
06088302	F3G7220-2	20	750-1600	84° / 40°	80 / 95	208/3	63.81	2	277	3.1	1/2	163			
05344102	H3G7220-2				65 / 75	240/3	50.61						2.5		
06064902	P3P7220-2				35 / 35	480/3	26.55							480	2.0
05344202	F3G7223-2	23	1300-2000	56° / 36°	95 / 110	208/3	74.84	2	277	4.3	3/4	201			
06178802	H3G7223-2				75 / 85	240/3	59.63								
05345602	P3P7225-2	25		56° / 40°	45 / 50	480/3	34.37		480	2.2					
05344302	H3G7230-2	30	1800-2800	52° / 34°	100 / 115	240/3	78.47	2	277	8.0	2 MOTORS @ 1/2 H.P. EACH	278			
06068802	P3P7230-2				55 / 60	480/3	42.38						4.0		
05345702	P3P7235-2				35	61° / 39°	65 / 70		480/3	48.39					
05345802	P3P7240-2	40	2000-3600	63° / 35°	75 / 85	480/3	56.71	2	480	4.4	2 MOTORS @ 3/4 H.P. EACH	319			
05345902	P3P7245-2	45		71° / 39°	80 / 90	480/3	62.72								
06180802	P3P7250-2	50		79° / 44°	90 / 100	480/3	68.74								

\*Temp. Rise calculated using max KW for 2 stages. 1 stage Temp. Rise will be half of published numbers.

DIMENSIONS				
7200 SERIES	A	L	DISCHARGE	
			W	H
0 to 3 KW	12"	32"	14"	8"
3.1 to 5 KW	14"	36"	18"	8"
5.1 to 15 KW	18"	36"	18"	10"
15.1 to 20 KW	18"	36"	22"	10"
20.1 to 25 KW	18"	36"	26"	10"



DIMENSIONS				
7200 SERIES	A	L	DISCHARGE	
			W	H
25.1 to 35 KW	18"	36"	44"	10"
35.1 to 50 KW			52"	10"

